



Owners Manual

Aerating Fountains

3400JF & 3400HJF
4400JF & 4400HJF

Contents

Important Safety.	pg2
General Instructions.	pg2
Cord Gauge Chart.	pg3
Unit Specs.	pg3
3400JF, 3400HJF Parts Included.	pg4
3400JF, 3400HJF Assembly.	pg4
4400JF, 4400HJF Parts Included.	pg6
4400JF, 4400HJF Assembly.	pg7
Mesh Screen Attachment.	pg8
Nozzle Options.	pg9
Installation Instructions.	pg10
Control Panel Installation.	pg11
C-25 Timer Control Instructions.	pg12
C85 non-metallic Wiring Diagram.	pg14
C85 non-metallic Control Panel Timer.	pg15
Maintenance Recommendations.	pg16
Warranty Policy.	pg17
Troubleshooting Tips.	pg18
3400J Replacement Parts.	pg20
4400J Replacement Parts.	pg21
Customer Repair Form.	pg22
Registration Information.	pg24



3020379
ANSI/UL 778, 5th Ed. 2010
CAN/CSA C22.2 No. 108-M89
UL 50, 11th Ed. 1995

Kasco Marine, Inc.
800 Deere Rd.
Prescott, WI 54021
PH (715) 262-4488
FAX (715) 262-4487
www.kascomarine.com

Rev. 12/12/11

THANKS

We at Kasco Marine, Inc. would like to both thank and congratulate you on your purchase of the JF model aerating fountain. We appreciate you choosing Kasco and for your purchase. Your decision to purchase Kasco's JF model Aerating Fountain will not disappoint you. The JF model Aerating Fountain will be a great addition to your body of water. It will help improve the water quality by adding much needed oxygen and circulation. It will also enhance the aesthetics of the pond or lake with a beautiful fountain pattern. The lighting package (if purchased) will illuminate your fountain for beauty at night. We thank you for choosing Kasco for your fountain needs and want you to be completely satisfied with your purchase.

Important Safety

Please read and follow these extremely important safety and handling instructions for your Kasco equipment. Following these instructions will help ensure your safety and the quality performance of your equipment.

- Under NO circumstances should anyone enter the water with the electrical equipment plugged in and/or in operation. All Kasco equipment is ETL approved to UL and CSA standards for safety in water and all fountain models include control panels with GFI protection. However, it is NEVER recommended to enter the water with the equipment in operation.
- Caution should be used when dealing with any electrical equipment with moving parts.
- NEVER run the unit out of water. It will damage the seals and create a dangerous situation for the operator.
- Extreme caution should be used around water, especially cold water, such as in Spring, Fall, and Winter, which poses a hazard in and of itself.
- NEVER lift or drag the fountain by the power or light cord. If you need to pull the unit to the side of the pond, use the anchoring ropes.
- Do not use waders in deep ponds/lakes or ponds/lakes with drop-offs, drastic slopes, or soft bottom material.
- Do not use boats that tip easily for fountain installation, such as a canoe, and follow all boating safety rules and regulations, including wearing a

PFD. (Personal Flotation Device)

- The fountain is supplied with an internal grounding conductor and a grounding-type attachment plug. To reduce the risk of electrical shock, be certain that the fountain is plugged into the C-25 Control Box (120V) or C-85 Control Panel (240/208V) supplied by Kasco and that the C-25 is plugged into a properly grounded, grounding type receptacle or the C-85 is wired properly. The GFCI breakers should be tested upon each installation and every month thereafter to ensure proper operation.

General Instructions

INSPECT THE SHIPMENT

Immediately inspect your Kasco Fountain shipment for any visible damages. Also cross reference the parts supplied with the Parts Included sheet to check for shortages. Shortages should be reported immediately to your Kasco Marine distributor or representative and damages reported to your carrier and Kasco Marine.

CAUTION

WARNING: Under NO circumstances should anyone enter the water with the unit in operation. Always operate the unit in the water and keep people and objects clear of the propeller. Do not lift or pull the unit by the electrical cord. Always use extreme caution around electrical equipment and water situations.

ASSEMBLY & INSTALLATION

Please see the proper Assembly and Installation Instructions enclosed in this manual. Each is specific for your model and size of Fountain. Note: Use a nylon tie to help keep the power cords for the unit and lights free of the propeller by tying each cord to either side of the float. If you have a light kit, make sure that the unit cord is tied to one side of the float and the light cord to the other for balance. Note: It is extremely important to test the GFI breaker in the control panel upon each installation/reinstallation of the unit to ensure proper functioning.

WARRANTY

Kasco Fountains are the result of over 40 years of design and engineering. Kasco products are built to withstand the toughest conditions. Kasco Marine

backs each 3400JF model Fountain with a 2 Year Warranty. This warranty covers any and all manufacturers defects within 2 years from the date of purchase (See Warranty & Return Policy). Please register your Fountain online at: www.kasco.com (Under the Technical tab)

USE AND OPERATION

Kasco Fountains are designed and engineered for continuous duty, such as on fish farms or other aquaculture applications, or on-demand use, as needed in a recreational water feature.

During flotation operation, the water is pulled from 360° around the unit and from below the unit. The water is pulled upward and thrust through the flotation collar into the air.

Your Kasco Marine Fountain is ready for immediate use (after installation). The motor and ball bearings are submerged in oil and no further lubrication is needed. Make sure to keep the motor housing clean from hard water deposits and/or algae. (See Maintenance Recommendations.)

It is extremely important that proper and sufficient voltage (120V or 240/208V) is supplied to the Fountain motor. Each 120V Fountain is supplied with a UL and CSA approved C-25 GFI Protected Control Box. The Fountain is to be plugged into the C-25 outlet labeled “UNIT” and the C-25 plugged into a properly grounded receptacle (See C-25 Instructions on page 12). Each 240V Fountain is supplied with a UL and CSA approved C-85 GFCB Protected Control Panel. The Fountain is to be plugged into the external outlet on the C-85 or hardwired into C-85 panel. The C-85 must have 4 wire service (L1, L2, neutral, and ground) installed by a qualified electrician. (See Wiring Instructions). It is extremely important to test the GFI breaker in the control panel upon each installation and reinstallation and every month thereafter to ensure proper operation.

Kasco Fountains are lightweight, energy efficient, and easy to install and operate. We strive to produce products that exceed customer expectations. We hope you enjoy your Kasco Fountain.

Cord Gauge Chart

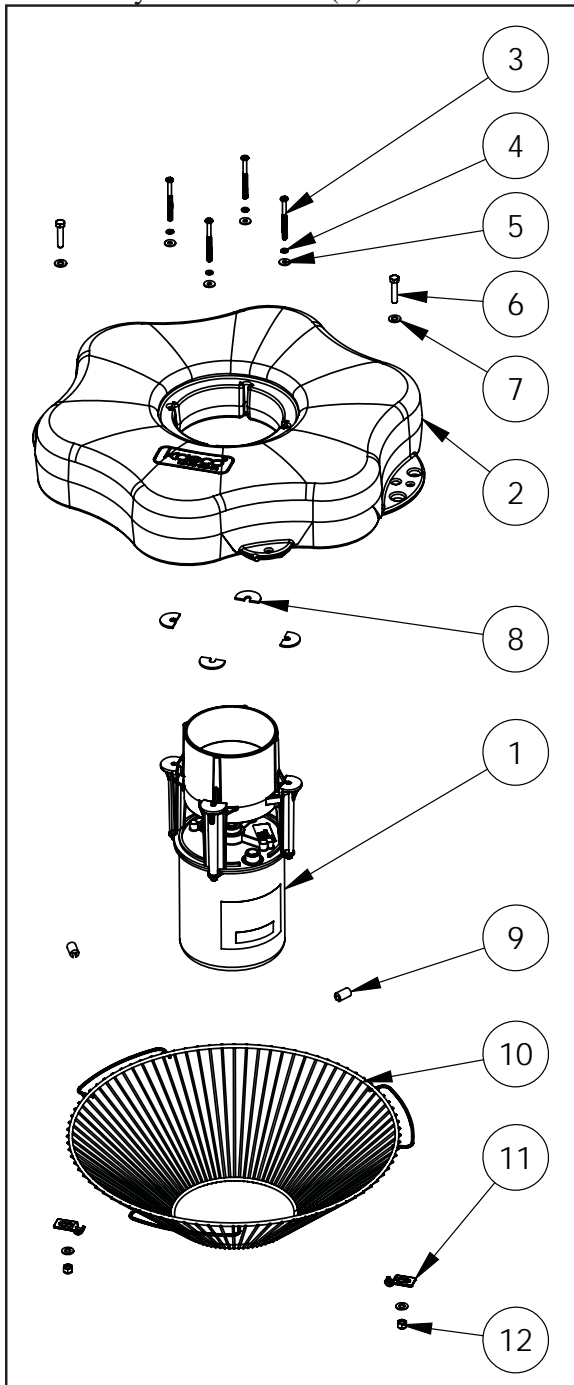
Length	Gauge	3400	3400H 4400H	4400
50'	16	x		
50'	14		x	x
100'	14	x	x	
100'	12			x
150'	12	x	x	
150'	10			x
200'	12	x	x	
200'	10			x
250'	12		x	
300'	12		x	
400'	12		x	

Unit Specs

Model	Voltage	Amps	Lock rotor amps	Control box connection	Fountain connection
3400JF	110-120	7.3	18	C-25 plug in	Plug into C-25
3400HJF	208-240	3.7	9	Hardwire C-85	plug into or hardwire C85
4400JF	110-120	11	40	C-25 plug in	Plug into C-25
4400HJF	208-240	5.5	20	Hardwire C-85	plug into or hardwire C85

3400JF, 3400HJF Parts Included

1. 3400JF Aerating Fountain (Unit with cord or unit with Disconnect) (1)
2. Float (with two 50' mooring ropes attached) (1)
3. 1/4-20 x 3 1/4" Phillips Pan Head Screw (4)
4. 1/4" split washers (4)
5. 1/4" (3/4" outer diameter) Flat Washer (4)
6. 3/8"-16 x 1-3/4" Hex Head Bolt (2)
7. 3/8" Flat Washer (4)
8. Cushions for Legs (4)
9. Bottom Screen cushions (3)
10. Bottom Screen (1)
11. Bottom Screen Clips (2)
12. 3/8"-16 Nylon Lock Nut (2)



Set of 5 Interchangeable Nozzles (5)

1. 3/8" x 2.25" bolt (1)
2. 3/8" x 4" bolt (1)
3. Linden Nozzle (1)
4. Sequoia Nozzle (1)
5. Juniper Nozzle (1)
6. Willow Nozzle (1)
7. Cypress Nozzle (1)
8. Collar for Cypress Nozzle (1)



Also Included:

- Mesh screen (1) with cable ties (10)
- Mooring Rope Pipe Weights (2)
- Cord in separate box (1) (depending on size of cord)
- Control Box (C-25 for 120V units in Float box or C-85 for 240V units in separate box) (1) (Not Pictured)

TOOLS & SUPPLIES NEEDED

- Anchors or stakes for installing unit (2)
- # 2 Phillips head screw driver
- 120V or 240V Electrical Supply near pond on a post with room for mounting the C-25 or C-85
- Two 12" pieces of 1" galvanized pipe or weighted tubing for weighting ropes (optional)
- #10 x 1" long or longer screw(s) for mounting the C-25 (3) or C-85 (4)
- 9/16" Socket and Ratchet
- 9/16" Wrench

3400JF, 3400HJF Assembly

STEP ONE

Make sure you have all the parts needed. If any shortages are found, contact your Kasco representative immediately.

STEP TWO

Set motor housing upright (stainless steel can down) on a flat surface.

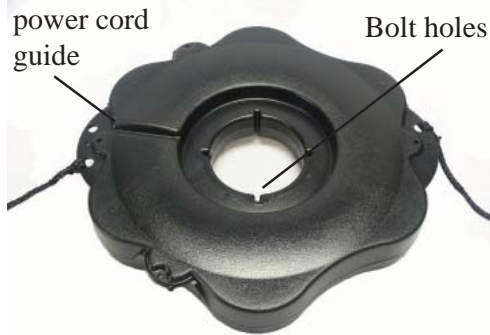
STEP THREE

Peel off the adhesive on one of the Cushions for the fountain housing legs (Part 8). Stick to the top of the fountain housing leg and repeat for the other three cushions. Rest the float on the 4 legs of the housing making sure logo on float is up.



STEP FOUR

Ensure correct alignment by twisting the float gently around the motor housing until the power cord guide lines up with the cord. See diagram below of bottom side of float. The 4 bolt holes in the float should line up with bolt receptacles on unit.



STEP FIVE

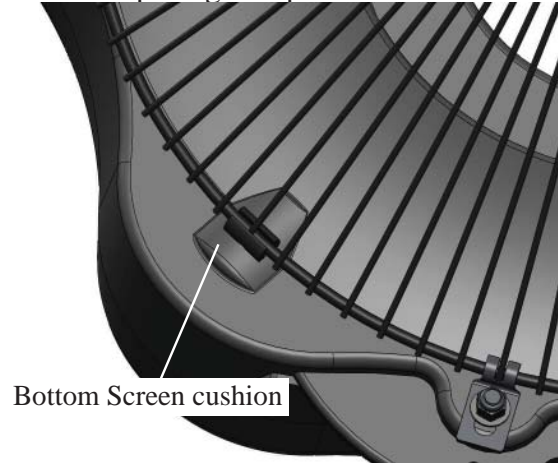
Use one of the 1/4"-20 x 3-1/4" Phillips Pan Head Screws (Part 3), one 1/4" split washer (Part 4), and a 1/4" Flat Washer (Part 5) to secure the float. Make sure the split washer goes between the bolt head and the flat washer. Insert screw with washers through bolt hole in float

Tighten until snug with a Phillips Head screw driver and repeat for 3 remaining screws.



STEP SIX

See "Mesh Screen Attachment" section before connecting the bottom screen to the float. Turn secured assembly upside down so the top of the float (logo side) is face down on the flat surface. Place Bottom Screen (Part 10) onto the bottom side of the float. Make sure the wide opening of the screen is against the float and the 3 handles on the screen do not interfere with the rope placements. Fit the 3 Bottom Screen cushions (Part 9) underneath the screen and on top of the 3 spacing bumps on the bottom of the float.



STEP SEVEN

Using a stainless steel Bottom Screen Clip (Part 11), 3/8"-16 x 1-3/8" Bolt (Part 6), two 3/8" Flat Washer (Part 7), and 3/8"-16 Nylon Lock Nut (Part 12) to secure the screen to the float. Align a clip so the two prongs straddle a wire on the screen. Insert bolt with washer so the top of the bolt is facing the top of float (now in down position). Place the second washer and the locking nut with nylon insert on the end of the bolt and tighten using the 9/16" (14mm) Socket and Ratchet on the nut end and the 9/16" (14mm) Wrench on the bolt end. Tighten until snug and repeat with remaining clip.



STEP EIGHT

Turn the assembly upright again. At this time, if the cord contains a metal strain relief, you can use the chain connector and attach it in one of the opening at the rope placement. The chain connector will easily fit

if installed from the bottom or top side of the opening. It will not fit if installed from side of opening. Use the Nylon Cable Tie included to secure the power cord to a molded hole in the float to prevent cord damage if there is no strain relief on the cord. If a Strain Relief is present on the cord, you may disregard the Nylon Tie. On cords with a Quick Disconnect, the disconnect should be tightened properly to avoid leaking. If installing a new Quick Disconnect, refer to Quick Disconnect Instructions.



STEP NINE

Select a nozzle (See JF Nozzle Options). Insert the Shaft Bolt into the Nozzle Head so it fits snugly into the molded socket. Install the Nozzle by threading it into the inner cone of the pump. Make sure to tighten the Nozzle all the way down.



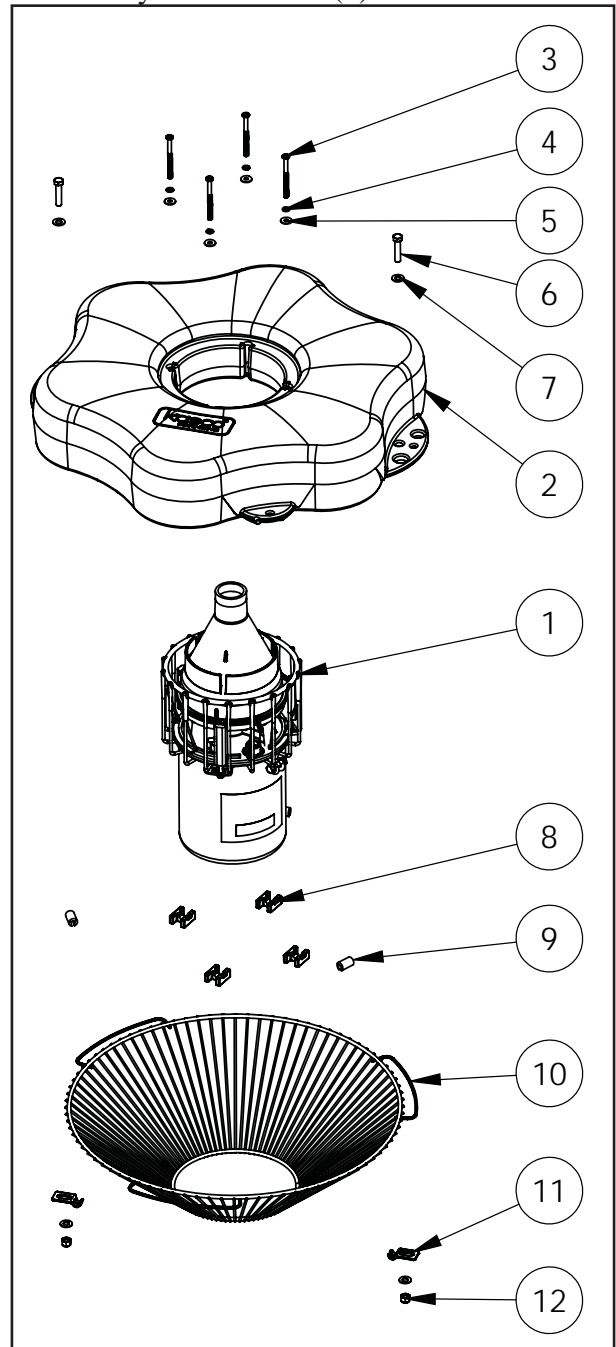
STEP TEN

Thread one rope through one weighted tube rope Weight and position it approximately 6' from the float. Next, thread the end of the rope back through the opening facing the float (as shown). Repeat with the second rope and weight. If ready to install in the pond, go to Installation instructions. Light Kits can also be installed at this time, go to Light kit instructions.



4400JF, 4400HJF Parts Included

1. 4400JF Aerating Fountain (Unit with cord or unit with Disconnect) (1)
2. Float (with two 50' mooring ropes attached) (1)
3. 1/4-20 x 3 1/2" Phillips Pan Head Screw (4)
4. 1/4" split washers (4)
5. 1/4" (3/4" outer diameter) Flat Washer (4)
6. 3/8"-16 x 1-3/4" Hex Head Bolt (2)
7. 3/8" Flat Washer (4)
8. Float Retaining Clips (4)
9. Bottom Screen cushions (3)
10. Bottom Screen (1)
11. Bottom Screen Clips (2)
12. 3/8"-16 Nylon Lock Nut (2)



Set of 5 Interchangeable Nozzles (5)

1. 3/8" x 2.25" bolt (1)
2. 3/8" x 4" bolt (1)
3. Linden Nozzle (1)
4. Sequoia Nozzle (1)
5. Juniper Nozzle (1)
6. Willow Nozzle (1)
7. Cypress Nozzle (1)
8. Collar for Cypress Nozzle (1)



Also Included:

- Mesh screen (1) with cable ties (10)
- Cord in separate box (1) (depending on size of cord)
- Control Box (C-25 for 120V units in Float box or C-85 for 240V units in separate box) (1) (Not Pictured)

4400JF, 4400HJF Assembly

STEP ONE

Make sure you have all the parts needed. If any shortages are found, contact your Kasco representative immediately.

STEP TWO

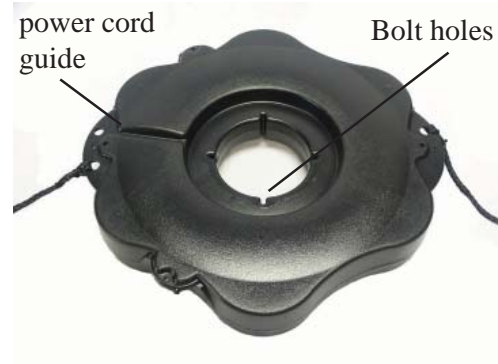
Set motor housing upright (stainless steel can down) on a flat surface. With motor housing upright, slide Float (Part 2) over pump housing making sure the surface with the Kasco logo is up.



Rest the float on the cage top ring.

STEP THREE

Ensure correct alignment by twisting the float gently around the motor housing until the power cord guide lines up with the cord. See diagram of bottom side of float.



STEP FOUR

Use one of the 1/4"-20 x 3-1/2" Phillips Pan Head Screws (Part 3), one 1/4" split washer (Part 4), and a 1/4" Flat Washer (Part 5) to secure the float. Make sure the split washer goes between the bolt head and the flat washer. Insert screw with washer through bolt hole in float

Use one float retaining clip (Part 8) under the top ring of the cage. There is a U-shaped indent in the clip that will fit snug against the top ring of the cage. The 1/4"-20 x 3-1/2" will then thread into the retaining clip.

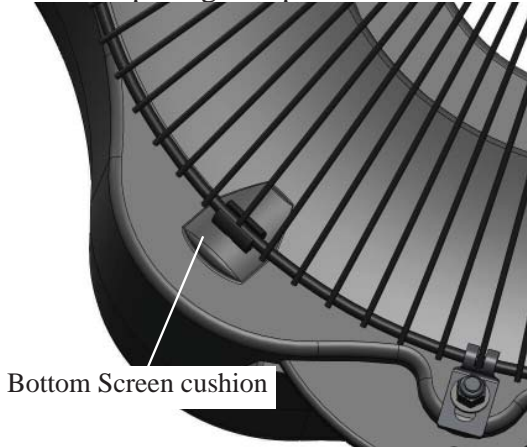


Tighten until snug with a Phillips Head screw driver and repeat for 3 remaining screws.



STEP FIVE

See “Mesh Screen Attachment” section before connecting the bottom screen to the float. Turn secured assembly upside down so the top of the float (logo side) is face down on the flat surface. Place Bottom Screen (Part 10) onto the bottom side of the float. Make sure the wide opening of the screen is against the float and the 3 handles on the screen do not interfere with the rope placements. Fit the 3 Bottom Screen cushion (Part 9) underneath the screen and on top of the 3 spacing bumps on the bottom of the float.



STEP SIX

Using a stainless steel Bottom Screen Clip (Part 11), 3/8”-16 x 1-3/8” Bolt (Part 6), two 3/8” Flat Washer (Part 7), and 3/8”-16 Nylon Lock Nut (Part 12) to secure the screen to the float. Align a clip so the two prongs straddle a wire on the screen. Insert bolt with washer so the top of the bolt is facing the top of float (now in down position). Place the second washer and the locking nut with nylon insert on the end of the bolt and tighten using the 9/16” (14mm) Socket and Ratchet on the nut end and the 9/16” (14mm) Wrench on the bolt end. Tighten until snug and repeat with remaining clip.



STEP SEVEN

Turn the assembly upright again. At this time, if the cord contains a metal strain relief, you can use the chain connector and attach it in one of the opening at the rope placement. The chain connector will easily fit if installed from the bottom or top side of the opening.

It will not fit if installed from side of opening. Use the Nylon Cable Tie included to secure the power cord to a molded hole in the float to prevent cord damage if there is no strain relief on the cord. If a Strain Relief is present on the cord, you may disregard the Nylon Tie. On cords with a Quick Disconnect, the disconnect should be tightened properly to avoid leaking. If installing a new Quick Disconnect, refer to Quick Disconnect Instructions.



STEP EIGHT

Select a nozzle (See JF Nozzle Options). Insert the Shaft Bolt into the Nozzle Head so it fits snugly into the molded socket. Install the Nozzle by threading it into the inner cone of the pump. Make sure to tighten the Nozzle all the way down.



STEP NINE (optional)

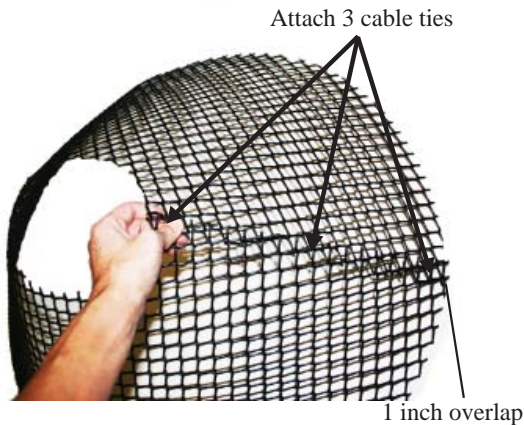
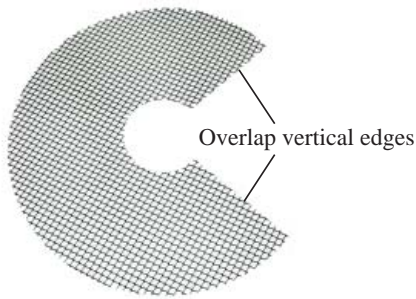
Thread one rope through one weighted tube rope Weight and position it approximately 6’ from the float. Next, thread the end of the rope back through the opening facing the float (as shown). Repeat with the second rope and weight. If ready to install in the pond, go to Installation instructions. Light Kits can also be installed at this time, go to Light kit instructions.



Mesh Screen Attachment

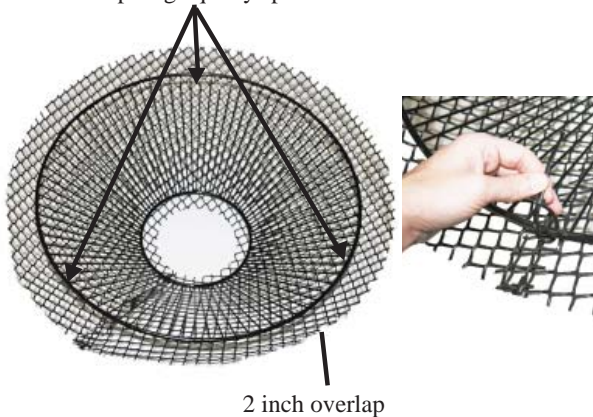
1. Take flat mesh pattern and wrap into cone shape by overlapping both vertical edges by approximately 1 inch and aligning top and bottom edges of mesh. Secure mesh vertical seam at the top, bottom and middle

using (3) cable ties.



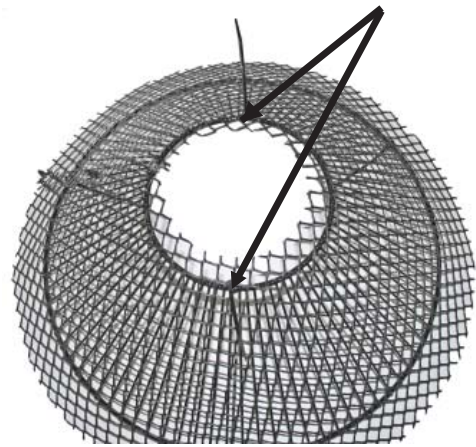
2. Insert existing stainless steel screen centered inside mesh cone with approximately 2 inches of mesh overlap to the top ring of the screen. Attach mesh to the top ring of the screen in (3) equally spaced locations using cable ties.

Attach 3 cable ties to top ring equally spaced



3. Flip mesh and screen assembly over and use remaining cable ties to secure mesh to small bottom diameter of the stainless steel ring.

Attach 2 cable ties to bottom ring equally spaced



4. Clip off excess cable tie material once mesh is secured into place. Go back to assembly instructions to continue with connecting the bottom screen to the float.

Nozzle Options

NOTE: Pattern sizes listed are approximate. Variations in voltage caused by regional electrical differences or voltage drop due to long power cords may result in reduced pattern sizes.

- The Cypress is the only nozzle that uses the separate collar labeled C2.
- The Cypress, Linden, Willow, and Juniper nozzles use the 3/8" x 4" bolt.
- The Sequoia nozzle uses the shorter 3/8" x 2.25" bolt.

To install, simply drop the bolt through the nozzle and thread into the top of the cone on the fountain.

Cypress Display:

The Cypress nozzle (marked C1 on fin) makes use of the collar (marked C2 on the top rim) and the 3/8" x 4" bolt.



Model	Height	Width
3400JF/HJF	6'	16'
4400JF/HJF	7.5'	25'

Linden Display:

The Linden nozzle (marked L inside one of the fins) uses the 3/8" x 4" bolt.



Model	Height	Width
3400JF/HJF	6'	18'
4400JF/HJF	8'	25'

Willow Display:

The Willow nozzle (marked W on the inside of the cone) uses the 3/8" x 4" bolt.



Model	Height	Width
3400JF/HJF	4.5'	15'
4400JF/HJF	6'	23'

Juniper Display:

The Juniper nozzle (marked with J on in inside of the nozzle cone) uses the 3/8" x 4" bolt.



Model	Height	Width
3400JF/HJF	3'	20'
4400JF/HJF	4'	27'

Sequoia Display:

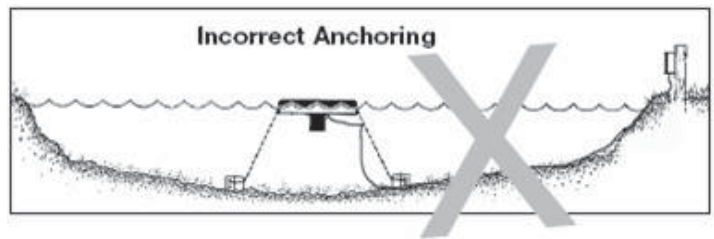
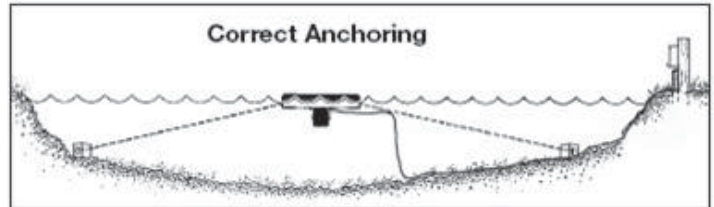
The Sequoia nozzle is not marked and uses the shorter 3/8" x 2.25"



Model	Height	Width
3400JF/HJF	7'	4'
4400JF/HJF	9.5'	6'

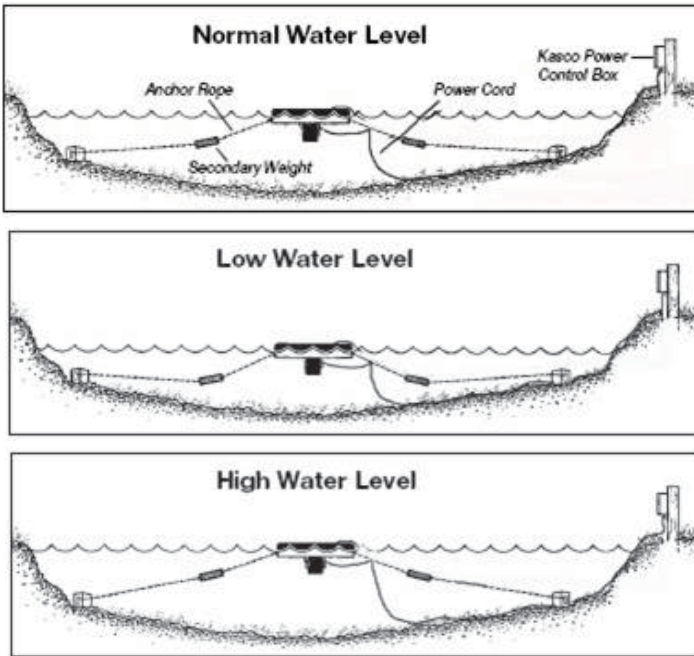
Installation Instructions

Use the ropes to position the Fountain in the desired location in the pond/lake. Anchor the ropes or secure them to the shoreline so the ropes are free of slack, but not tight. To prevent twisting of the unit due to torque, you should place the anchor at least 3 feet from the float for each foot of depth (Ex. A 6 foot deep pond would require an anchor 18 feet horizontally from the float.)



ALTERNATE INSTALLATION

In ponds where the water level fluctuates significantly, you may need to suspend a small weight (12" of 1" galvanize pipe works well) at the mid-point of the rope to take up any slack as the water level drops. The weight should be light enough so the Fountain can rise as the water level rises. This can also help hide ropes by sinking them further below the surface.



Control Panel Installation

STEP ONE

Inspect the panel for any damage and any components that may have loosened during shipping.

Control panel must be installed a minimum of 5ft (3m in Canada) from the inside wall of the pond, unless separated from the body of water by a fence wall, or other permanent barrier that will make the unit inaccessible to persons in the water.

Install the control panel to a post structure, side of a building, or other reliable means. This structure must support the panel and prevent movement/flexing of the panel. Use #10 x 1" or longer screws in the mounting points of the control panel to secure to the post structure. NOTE: The control panel must be hung upright in order to be waterproof. It is also advised to mount the panel out of direct sunlight if possible. Mounting the panel in a North direction will prevent heat buildup inside the panel. Also, mount the panel above the potential flood plain to prevent water entry during a possible flood event.

STEP TWO

Set Timer in the control panel to desired ON and OFF times per the Instructions for each specific timer.

STEP THREE

Follow all local and national electrical codes for this installation and Consult a qualified electrician or service person if needed.

(For 120V Installations)

Plug the aerator cord into the C-25 outlet labeled "UNIT". If lights are included, plug the Transformer cord into the C-25 outlet labeled "LIGHT". Now you are ready to plug the C-25 into the 120V power supply on the post and ENJOY YOUR NEW KASCO AERATOR!

STEP THREE (For 240V Installation)

All electrical connections to this panel must be made with proper strain relief cord grip fittings or with conduit connections as required by local and national electric codes. The bottom of the enclosure is reserved for field installation of these connections.

C85 non-metallic control panel:

Incoming power connection: (Power feed)

This control panel requires a 240V or 208V - 4 wire service (L1, L2, N, & G) and must be fed with a power circuit protected by a circuit breaker or a fused disconnect switch to provide circuit protection and a disconnection means.

C-85 panel requires at least a 30amp protected circuit feeding the panel.

Connect your power feed as detailed in the wiring diagram provided with this panel.

L1 connects to Terminal	#1
L2 connects to Terminal	#2
N connects to Terminal	N
G connects to Terminal	GROUND - located on hassis plate

Be sure to provide adequate sized power conductors to prevent excessive voltage drop. Consult with your electrician to properly size power feed conductors. Use copper conductors only.

Aerator power cord connection:

Your aerator (pump) will be provided with a flexible power cord for connection to this control panel. If the power cord has a plug, you will need to cut it off. The power cord conductors (black, white, green) will need to be stripped back 1/2". The outer black jacket

should be stripped back at least 3 inches. Follow the connection diagram for terminating these three wires to the terminal blocks in the control panel.

Black connects to Terminal #4
White connects to Terminal #5
Green connects to Terminal G

Light Kit connection:

If you purchased a Kasco light kit(s) for your aerator, follow the light kit installation instructions for mounting the light kit(s) to the aerator float.

This control panel requires a hardwire connection for the light kit(s). To connect the light kit(s) you will need to cut off the power cord plug that is molded to the light kit power cord. Strip back the black outer jacket of the light kit power cord at least 3 inches to reveal the three internal wires of the power cord. (black, white, and green conductors). These three wires will need to be stripped back 1/2". Follow the connection diagram for terminating these three wires to the terminal blocks in the control panel.

Light kit connections:

Black connects to Terminal #6
White connects to Terminal #7
Green connects to Terminal G

STEP FOUR:

Test the GFCB with the test button now and every 30 days.

If lights are installed, they can now be installed per Instructions included with the lights.
Once completed, power can be restored to the panel.

Record the following data while the Aerator is operating in the water under load:

Voltage:

L1-L2 _____

L1-N _____

L2-N _____

Amperage:

L1 _____

L2 _____

Date installed ____/____/____

Any unauthorized modifications to this control panel will void the UL listing and the Kasco warranty.

C-25 Timer Control Instructions

Portable Timer with Ground Fault Interrupter
(Unit: 9.8 FLA, 58.8 LRA 120 VAC
Light: 300 W, 120 VAC)

IMPORTANT

This portable timer is designed for CONTROLLING the connected equipment only. Unplug timer before servicing the unit or the equipment it controls. THE MANUAL OVERRIDE KNOB IS NOT TO BE USED AS A POWER DISCONNECT! For maximum protection against electrical shock hazard, perform test procedure on G.F.C.I. at least once a month. Mount at least 5 ft. from open water.

G.F.C.I. TEST PROCEDURE

The G.F.C.I. should be checked every month to make sure that it is operating properly. Just follow the simple instructions below. It is recommended to maintain a maintenance diary of your monthly safety check.

1. Push TEST button, RESET button should pop out from inner surface. This should result in power being OFF at the outlet protected by the G.F.C.I. Verify by plugging a test lamp into the outlet. Be sure the timer is in the ON position.

2. If the G.F.C.I. tests okay, restore power by pushing the RESET button back in. THE RESET BUTTON MUST BE PUSHED FIRMLY AND FULLY INTO PLACE UNTIL IT

LOCKS AND RE-MAINS DEPRESSED AFTER PRES-
SURE HAS BEEN REMOVED.

DANGER: IF RESET BUTTON DOES NOT POP OUT,
IF TEST LAMP REMAINS LIT WHEN RESET BUTTON
DOES POP OUT, OR IF THE G.F.C.I. FAILS TO RE-
SET PROPERLY, DO NOT USE TIMER! CONTACT A
QUALIFIED SERVICE TECHNICIAN!

Failure to use the C-25 with Kasco Fountains will void the
warranty and cause the Fountain to not be listed to UL and
CSA standards via ETL.

UNDER NO CIRCUMSTANCES SHOULD ANYONE
ENTER THE WATER WHEN A UNIT IS IN OPERA-
TION!

TIMER-OPERATION INSTRUCTIONS

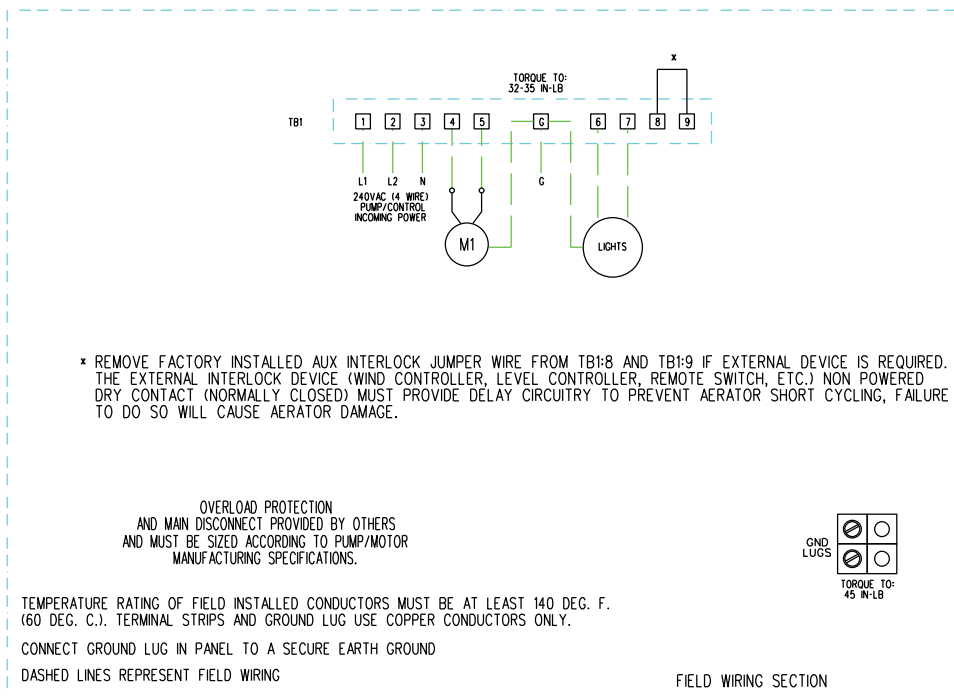
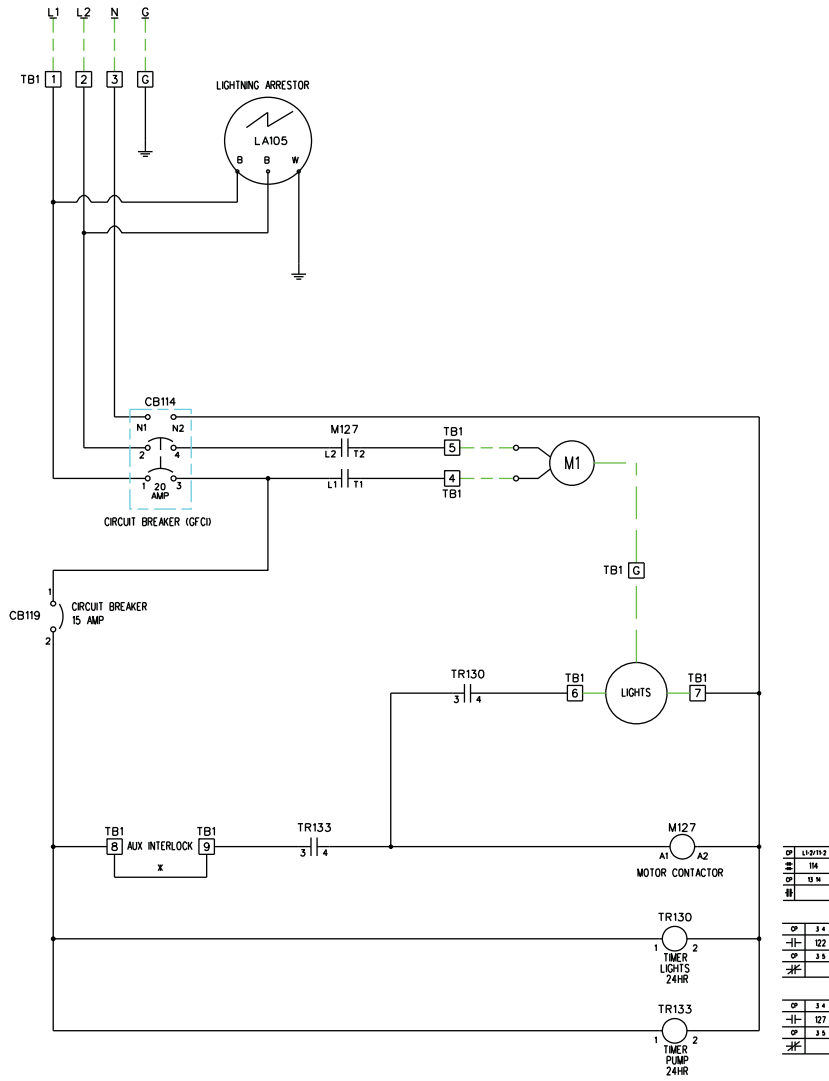
C-25 Control Box will turn the aerator/fountain ON &
OFF with the TIMER. Kasco lights will turn ON with the
PHOTO EYE and OFF with TIMER. C-25 Control Box is
to be used with Kasco Approved Lights ONLY!

- Insert "ON" (GREEN) and "OFF" (RED) trippers into
dial at desired ON and OFF times.
- Turn dial clockwise one or more revolutions until
correct time-of-day (AM or PM) in window is aligned
with the arrow.
- Plug aerator/fountain cord into the RIGHT hand outlet
(labeled UNIT).
- Plug transformer light cord into LEFT hand outlet
(labeled LIGHT).

FOR TEMPORARY MANUAL OPERATION

Rotate MANUAL knob counter-clockwise to desired ON or
OFF position. Timer will follow next automatic operation.

C85 non-metallic Wiring Diagram



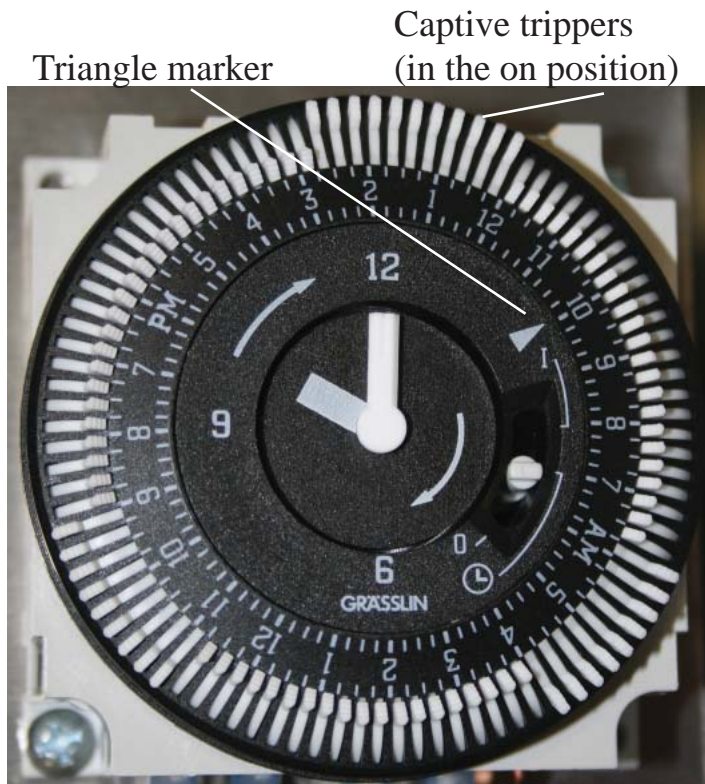
C85 non-metallic Control Panel Timer

TIME CLOCK SETTING

TO SET THE CURRENT TIME, TURN THE MINUTE HAND CLOCKWISE. DO NOT SET THE TIME BY ROTATING “OUTER” DIAL.

Turn the minute hand clockwise until the time of day on the outer dial is aligned with the triangle marker on the inner dial (two o'clock position).

Example for 10:00 AM. Turn the minute hand clockwise until 10:00 AM is aligned with the triangle on the inner dial. The hour and the minute dial will show exactly 10:00.



PROGRAMMING

The 24-Hour dial has quarter-hour divisions and AM/PM indications.

The time switch is programmed by pushing the captive trippers to the outer ring position for the entire period that the aerator is to be turned “ON”, i.e., fifteen minutes for each tripper on the 24-Hour dial. When the tripper is pushed to the inside, the switch is in the “OFF” position.

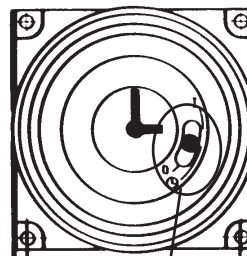
PROGRAMMING WITH MANUAL OVER-RIDE SWITCH

AUTOMATIC MODE

In order to operate the time clock in the automatic mode, the manual switch must be in the center position (automatic) - see diagram.

MANUAL MODE

With the manual override switch in the lower position, marked “O”, the time clock output will remain Permanently OFF. In the upper position, marked “T”, the time clock output will remain permanently ON



Override Mode	
3-way manual override switch	I = permanent ON ⊕ = automatic O = permanent OFF

Maintenance Recommendations

**** Under No Circumstances should anyone enter the water while a fountain is operating. ****

**** Please keep the original box for maintenance shipping. ****

The following maintenance procedures can be utilized to ensure many years of quality performance from your Kasco Fountain and reduce the need for more costly repair work.

PROPER INSTALLATION: Proper installation of Kasco equipment will include a power source with ground fault interruption (GFI). For Fountain models, the C-25 control (120V) or C-85 (240/208V) included with the unit have built-in ground fault interruption that is sufficient. Ground fault interrupters are a safety feature that can also alert you to electrical leaks in the equipment. It is extremely important to test the GFI upon installation, each reinstallation, and monthly thereafter to ensure proper operation. If you have repeat, consistent trips on your ground fault, the equipment should be disconnected and removed from the water. The power cord should be inspected for damage and you should call Kasco Marine at 715-262-4488 for further instructions or email Kasco at returns@kascomarine.com.

OBSERVATION: Operating equipment should be observed on a regular basis (daily, if possible) for any reduction or variation in performance. If a change in performance is observed, the equipment should be disconnected from power and inspected for any material that may have clogged the system or wrapped around the shaft of the motor, especially plastic bags and fishing line. Even though Kasco Aerators and Fountains are among the most clog-resistant on the market, it is impossible to protect against all items that can clog equipment and still maintain a flow of water. These materials can be very damaging to the equipment under continued operation and must be removed as soon as possible. **ALWAYS UNPLUG THE UNIT BEFORE ATTEMPTING TO REMOVE CLOGS.**

WINTER STORAGE: In regions where there is significant freezing in the wintertime, the fountains should be removed from the water to protect them from the expansion pressure of the ice. In many areas,

fountains will keep some amount of ice open through the winter. However, when the water is thrust into the air, it is exposed to the colder air temperatures longer and can actually make ice thicker on the pond/lake. Storage over winter is best in a location that is out of the sun and cool, but above 32°F. It is not necessary to store Kasco motors upside down. All internal seals are fully lubricated while stored in an upright position.

CLEANING: Fountains should be removed from the water at least once per year (at the end of the season in cold climates) to clean the exterior of the system, especially the stainless steel motor housing (can). The motor housing is the surface that dissipates heat into the water and any algae, calcium, etc. build-up will become an insulator that blocks heat transfer. In warmer regions it is recommended that the motor is removed and cleaned at least two to three times per year depending on conditions. In most cases a power washer will be sufficient if the unit and algae are still wet.

SEAL AND OIL REPLACEMENT: This is a sealed motor assembly and seals will wear out over time (similar to brake pads on a car). Replacement of the seals and a change of oil after three years may add longevity to the operation of the motor, saving you the cost of more expensive repairs. In warmer climates where the fountain runs most or all of the year, it is a good idea to replace seals more regularly than you would need to in colder climates where the unit is removed from the water for several months.

ZINC ANODE: A Sacrificial Zinc Anode is supplied on the shaft for protection of the equipment from corrosion and electrolysis. The zinc anode should be updated (replaced) if reduced to half the original size or if white in color. Corrosion from electrolysis is more commonly associated with saltwater or brackish water, but as a matter of precaution, it is important to periodically check the zinc anode in all installations (at least every two to three months).

Seal replacement and all other repair services should be performed by Kasco Marine or a Kasco trained Authorized Repair Center. Any alterations or changes made to Kasco units by an unauthorized source will void the warranty. This includes tampering with the unit, power cord, and/or control box. Please contact Kasco Marine, Inc. at 715-262-4488 for your nearest Authorized Repair Center.

Warranty Policy

Warranty Period:

Models:

3400JF, 3400HJF, 4400JF, 4400HJF - 2 years

Kasco® Marine, Inc. warrants this Fountain to be free from defects in material or workmanship (except for the ropes, power cord, and propeller) under normal use and service. The Kasco Marine, Inc. obligation under this warranty is limited to replacing or repairing free of charge any defective part within the warranty period from the date of shipment. Customer shall pay shipping charges for returning the unit to Kasco or an Authorized Repair Center.

THIS WARRANTY IS IN LIEU OF ANY OTHER WARRANTIES, EXPRESSED OR IMPLIED, AND ANY OTHER OBLIGATION OR LIABILITY WHATEVER ON THE PART OF KASCO MARINE, INC. AND IN NO EVENT SHALL KASCO MARINE, INC. BE LIABLE FOR ANY SPECIAL OR CONSEQUENTIAL DAMAGES.

Warranty is void if:

- The Fountain is not maintained properly according to the Maintenance Recommendations supplied in this Owners Manual.
- The Fountain is returned for repair without the power cord or if the unit, control box, or power cord are altered in any way from original shipment. Cuts in the power cord are not covered under warranty.
- The Fountain is damaged by unauthorized tampering.
- The Sacrificial Zinc Anode around the propeller shaft shows significant deterioration. (The Anode must be inspected periodically and replaced if necessary.)

Warranty Claim Procedure:

Check the eleven-digit serial number printed either on the black cover of the motor or on the blue nameplate and determine the year of manufacture according to the serial number scheme below:

Sample Serial #

70 01 VX 2 1725

The first two digits represent the reverse of the last

two digits of the year of manufacture.

Example: 80 = 2008 model year.

The third and fourth digits represent the week of the year. (Ex. "01" for 1st week in Jan.) model.

The best method for establishing warranty period is by keeping your original receipt. Also register the Fountain online at:

www.kascomarine.com (under technical tab)

Kasco Marine will have a record of the purchase and will be able to determine whether or not the unit still carries warranty coverage.

Once the warranty coverage has been established, the unit may be sent to any Kasco Authorized Repair Center for evaluation and repair. Please call Kasco Marine at 715-262-4488 prior to shipping.

Kasco Marine, Inc.
800 Deere Rd.
Prescott, WI 54021
Attn: Repairs

Or call Kasco Marine at 715-262-4488 to locate your nearest Authorized Repair Center. You can also email Kasco at returns@kascomarine.com

Note: Only complete motor assemblies will be accepted for warranty repair. The power cord and all other components must be returned with the motor as originally assembled. Any missing parts will be replaced at the customer's expense and, if determined to have caused the failure, could void the entire warranty. Some parts are essential for structural support during shipping and others, such as the power cord, are essential to properly diagnose potential causes of failure. It is not necessary to return the control box or float with the motor assembly.

Please include the Repair Form received from Kasco Marine or your local distributor with the shipment. If no Repair Form is available, include your name and physical address for return delivery of the repaired unit and a daytime phone number and/or e-mail address for correspondence regarding the warranty claim.

Any expedited shipping method for the return of the unit is at the customer's expense. Kasco Marine will return units repaired under warranty at our expense via

ground freight within the continental United States.

Other Repairs:

Most failed equipment can be repaired at substantially lower costs than replacement with new. Please ship according to the instructions in the previous section. Again, it is best to call ahead for a Return Authorization Number and/or Repair Form so we know the repair is coming.

Kasco Marine does estimates on repairs at the request of the customer. The request for estimate should be included in the letter that accompanies the returned unit and must include a daytime phone number and/or e-mail address. Estimate options are as follows:

We will contact the customer with a total after the unit has been evaluated, but before the work is performed. We will repair the unit only if repair costs are under a stated dollar amount. Example: "Please repair if total is under \$150.00 before shipping charges."

All estimates that are rejected for repair will be destroyed unless otherwise directed by the customer. If the customer would like the unit returned, the unit will be restored as closely as possible to the condition in which it was received and shipped at the customer's expense for shipping and handling charges.

Billing:

All non-warranty repairs will be returned to the customer prepaid with Visa or Mastercard or shipped C.O.D. with C.O.D. charges unless otherwise directed. Kasco Marine will call for credit card information upon completion of the repair.

All other warranty and repair inquiries should be directed to Kasco Marine, Inc. at 715-262-4488 or returns@kascomarine.com

Troubleshooting Tips

Below are some helpful troubleshooting tips. If a problem occurs, please double check the assembly and installation instructions as well as the instructions for the proper control panel. More troubleshooting tips can be found at www.kascomarine.com (under the technical tab)

"My Fountain trips the ground fault interrupter in the C-25, C-85, or C-95."

This is the most common symptom of several possible problems. To correctly diagnose the problem, you will need to collect more information. A Ground Fault Interrupter (GFI) breaker that trips can indicate an electrical service problem, water contamination in the unit and/or cord, bad breaker, control box problems, motor problems, etc. Try to find out the answers to these questions before you contact Kasco to narrow down the problem.

- How long does it take to trip the breaker?
- Does it always take the same amount of time to trip?
- How many times has it tripped?
- Has there been any electrical problems in the area recently?

"My Fountain seems to run slowly."

This can also be a symptom of several possible problems. There could be an electrical problem where the unit is not getting the proper voltage. This could also indicate a problem with the motor of the unit, which needs to be looked at by an Authorized Repair Center. Check that the unit is receiving the proper voltage, and, if so, contact Kasco for further steps.

"My Fountain hums, but will not start. When I spin the prop with a stick, it starts up."

This indicated a problem with the Starting Capacitor. Each Kasco Fountain is equipped with a Starting Capacitor to get the unit going when it is first plugged in. If it is operating, but not spinning and can be started by spinning the prop with a stick, the Starting capacitor needs to be replaced by an Authorized Repair Center.

"My Fountain turns itself off and back on without the timer and without tripping the GFI breaker."

Each Kasco Fountain has a Thermal Overload built in that will turn the unit off when it overheats. Once the unit has cooled down, it will start back up. If you are noticing these symptoms, the unit should be unplugged immediately because the Thermal Overload will continue to turn on and off until it burns out and damages the motor. The unit should be unplugged and taken out of the water to find the cause of the problem. The problem could be one of many, such as, low water levels, build-up on the unit to prevent heat dissipation,

something inhibiting the free rotation of the shaft, etc. If something is caught in the unit or there is a build-up of algae, calcium or organic matter on the unit, remove the debris and, if caught early enough, the unit should be fine. Contact a Kasco representative before restarting the unit.

“My Fountain flow seems to fluctuate and/or be less than usual.”

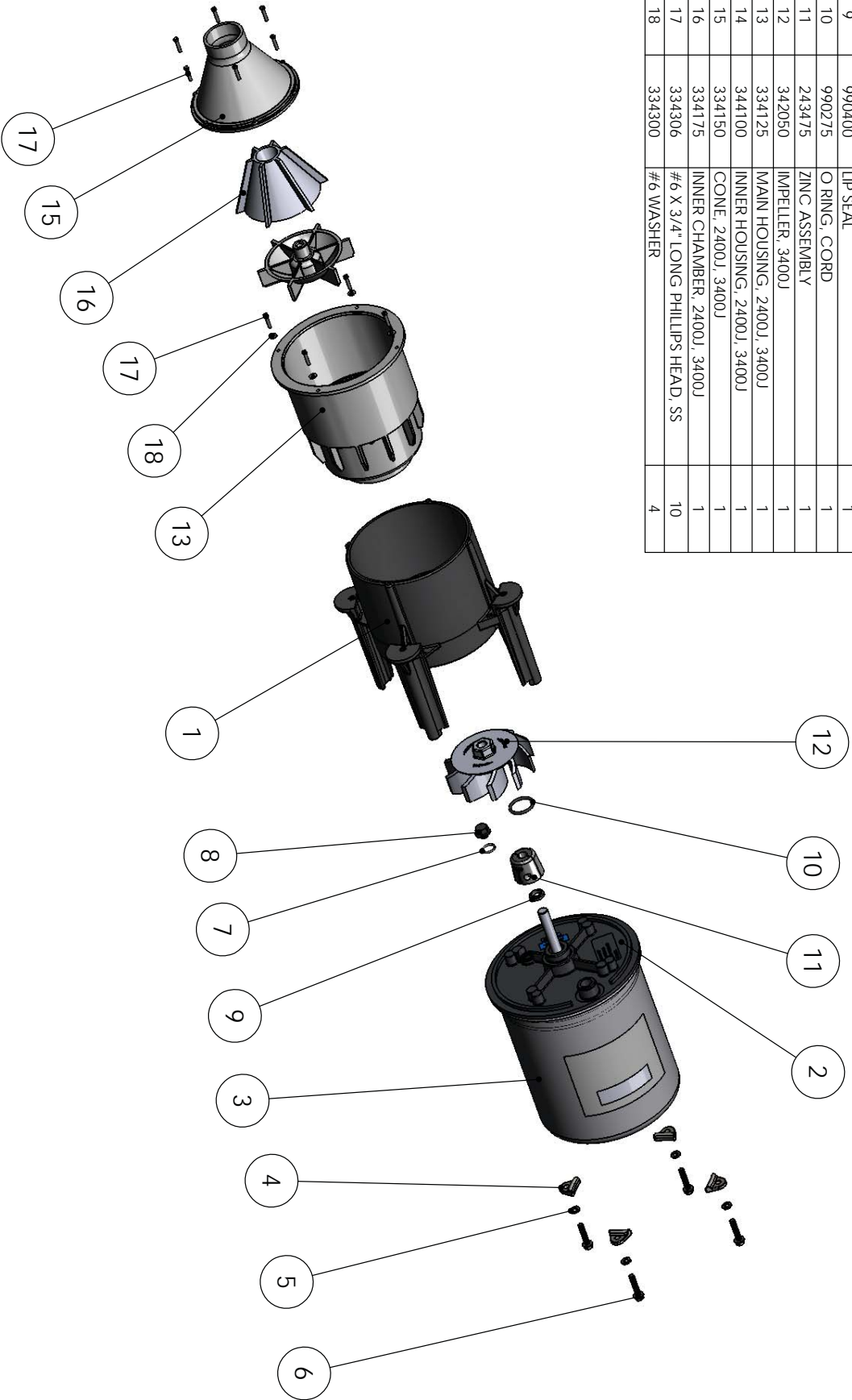
This can occur because of a few different reasons. Most of the time, this symptom is caused from unit being clogged with debris. A mat of weeds, many leaves, plastic bags, etc. can clog up the unit and cause it to be starved of water. If the unit does not have the proper amount of water, the flow or pattern will fluctuate up and down and look sporadic. If you are seeing these symptoms, unplug the unit and clean away the debris that is clogging up the screen. Another possibility if these symptoms are noticed, is a chipped or damaged prop that is causing the unit to wobble and not pump properly. When the unit is unplugged, check the prop for damages and replace if damage is found.

“The GFI breaker trips randomly and sporadically. Sometimes it is a few hours of operation, other times it can be days or weeks.”

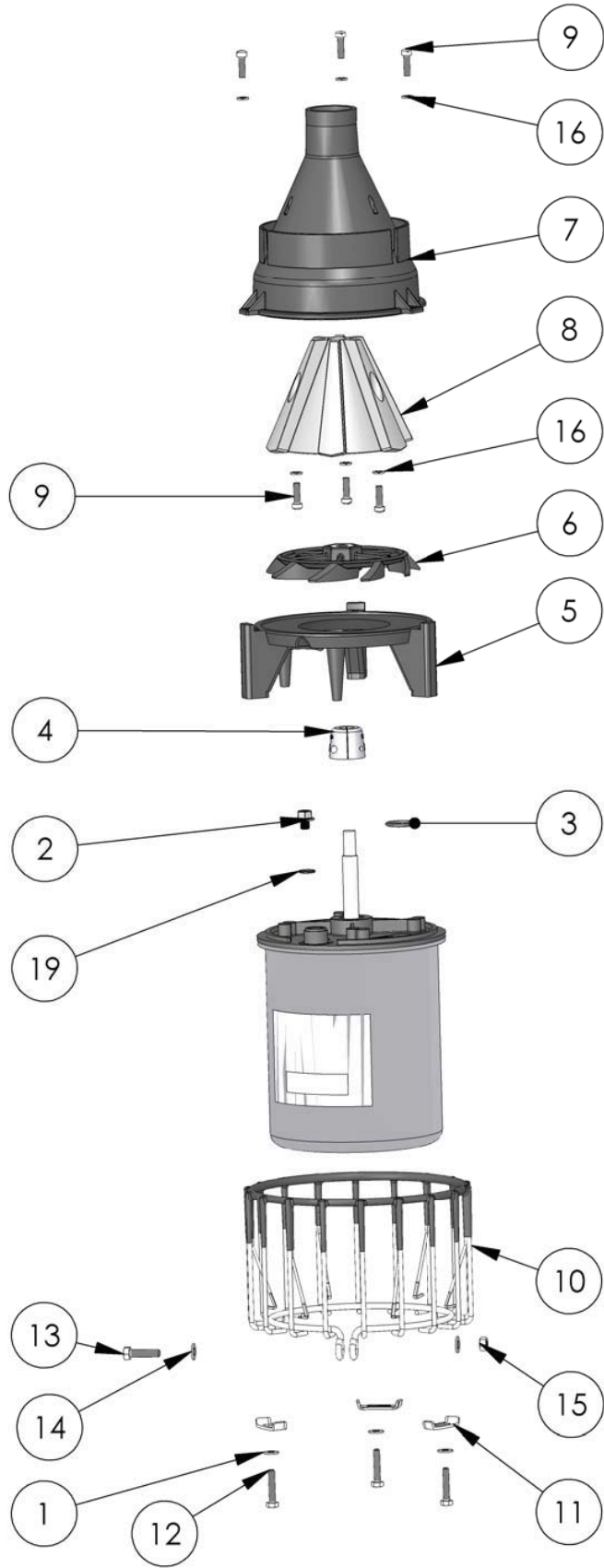
This is referred to as a Nuisance Trip. This usually occurs where the unit is installed a great distance from the initial electric service on the property where the ground stake is placed. It is caused by either induced current in the ground wire or a base voltage difference due to soil pH levels. To resolve the problem, contact an electrician and install a local grounding stake. This may eliminate the induced current and any base voltage differences. This problem can also be caused by a bad breaker or receptacle or having unbalanced incoming voltage lines.

3400J REPLACEMENT PARTS

ITEM NO.	PART NO.	DESCRIPTION	QTY
1	241005	V TUBE WITH LEGS	1
2	990600	ASSEMBLY, BLACK TOP, 2400	1
3	390100	CAN, 3400, 4400 SERIES	1
4	140312	RETAINING CLIP	4
5	840537	LOCK WASHER, 1/4"	4
6	251250	#14 X 1-1/4" LONG HEX WASHER HEAD	4
7	990281	O RING	1
8	990280	SEALING PLUG	1
9	990400	LIP SEAL	1
10	990275	O RING, CORD	1
11	243475	ZINC ASSEMBLY	1
12	342050	IMPELLER, 3400J	1
13	334125	MAIN HOUSING, 2400J, 3400J	1
14	344100	INNER HOUSING, 2400J, 3400J	1
15	334150	CONE, 2400J, 3400J	1
16	334175	INNER CHAMBER, 2400J, 3400J	1
17	334306	#6 X 3/4" LONG PHILLIPS HEAD, SS	10
18	334300	#6 WASHER	4



4400J Replacement Parts



ITEM NO.	PART NO.	DESCRIPTION	4400J /QTY.
1	258476	FLAT WASHER, 1/4"	3
2	990280	SEALING PLUG	1
3	990275	O RING, CORD	1
4	840475	ZINC ASSEMBLY	1
5	840220	8400 JET/ PUMP BASE	1
6	442050	IMPELLER, 4400J	1
7	442010	HOUSING, OUTER CONE 4400J	1
8	442020	CONE, INNER 4400J	1
9	475628	SCREW, FILLISTER HEAD	6
10	993201	WIRE CAGE ASSEMBLY	1
11	689146	HOLD DOWN BRACKET	3
12	584692	1/4-20 X 1-3/8" BOLT	3
13	261240	5/16-18x1 1/4 HHCS	1
14	261231	5/16 FLAT WASHER	2
15	261234	NUT, HEX	1
16	840537	LOCK WASHER, 1/4"	6
19	990281	O RING	1



800 Deere Rd.
 Prescott, WI 54021
 Phone: 715-262-4488 - Fax: 715-262-4487
 www.KascoMarine.com Sales@KascoMarine.com

Customer Repair Form

*** Important Reminders ***

- All repairs sent in **MUST** be accompanied by a copy of this completed sheet!
- Routine maintenance consists of checking the zinc anode regularly and replacing if necessary, keeping the unit clean, keeping the stainless steel can clean, and having the seals and oil replaced every 3 years depending on use.
- Address your Repair to Kasco Marine, Attn: Repairs (or to your Authorized Repair Center).
- Shipping to Kasco or an Authorized Repair Center is paid for by the customer.
- You must include the power cord and cage assembly/fountain housing with each unit sent in for repair to be considered for warranty and for proper repair and shipping protection!
- Do not ship the float and/or control box with the unit for repair, unless otherwise instructed.

Today's Date: _____

Customer Information

Name: _____

Phone Number: _____

Address: _____

Alternate Number: _____

City: _____

Email Address: _____

State: _____

Zip Code: _____

Unit Information:

Model # (Ex. 3400JF): _____

Serial # (Ex. 7001J34025): _____

Date Purchased: _____

Purchased From: _____

Earliest Date of Problem: _____

Description of Problem:

Comments:

Registration Information

Please register your fountain online at:

www.kascomarine.com (Under the Technical Tab)

Also fill in the information below and keep for your records.

Model # (Ex. 3400JF) _____

Serial # (Ex. 8001J31725) _____

Purchase Date: _____

Purchased From: _____

Registration Date: _____



Kasco Marine, Inc.
800 Deere Rd.
Prescott, WI 54021

Phone (715) 262-4488 * Fax (715) 262-4487

www.kascomarine.com * sales@kascomarine.com